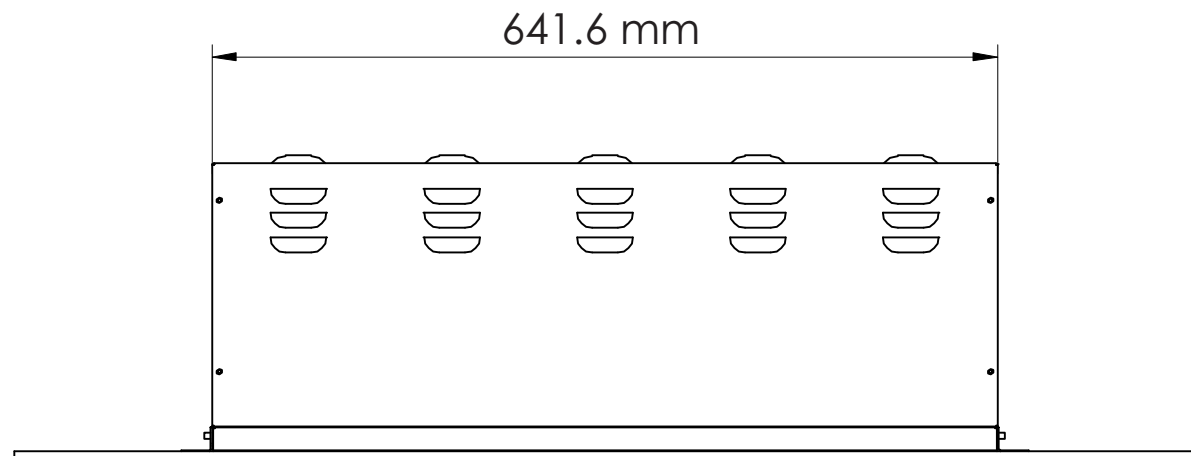
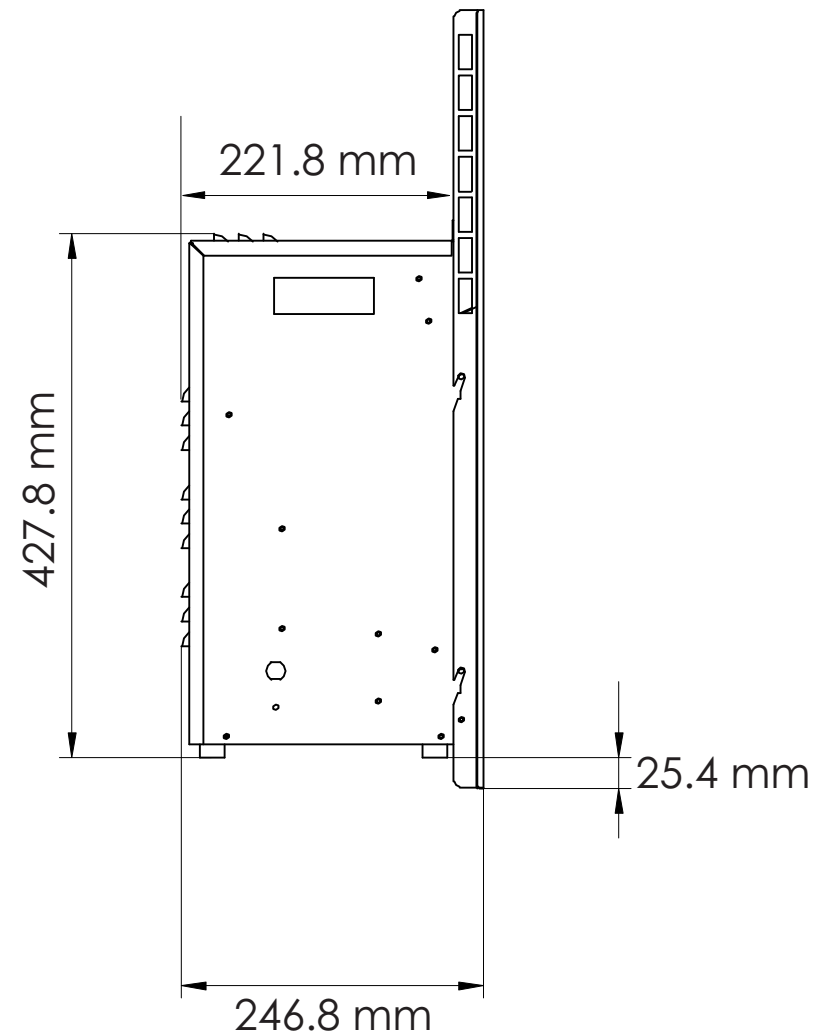
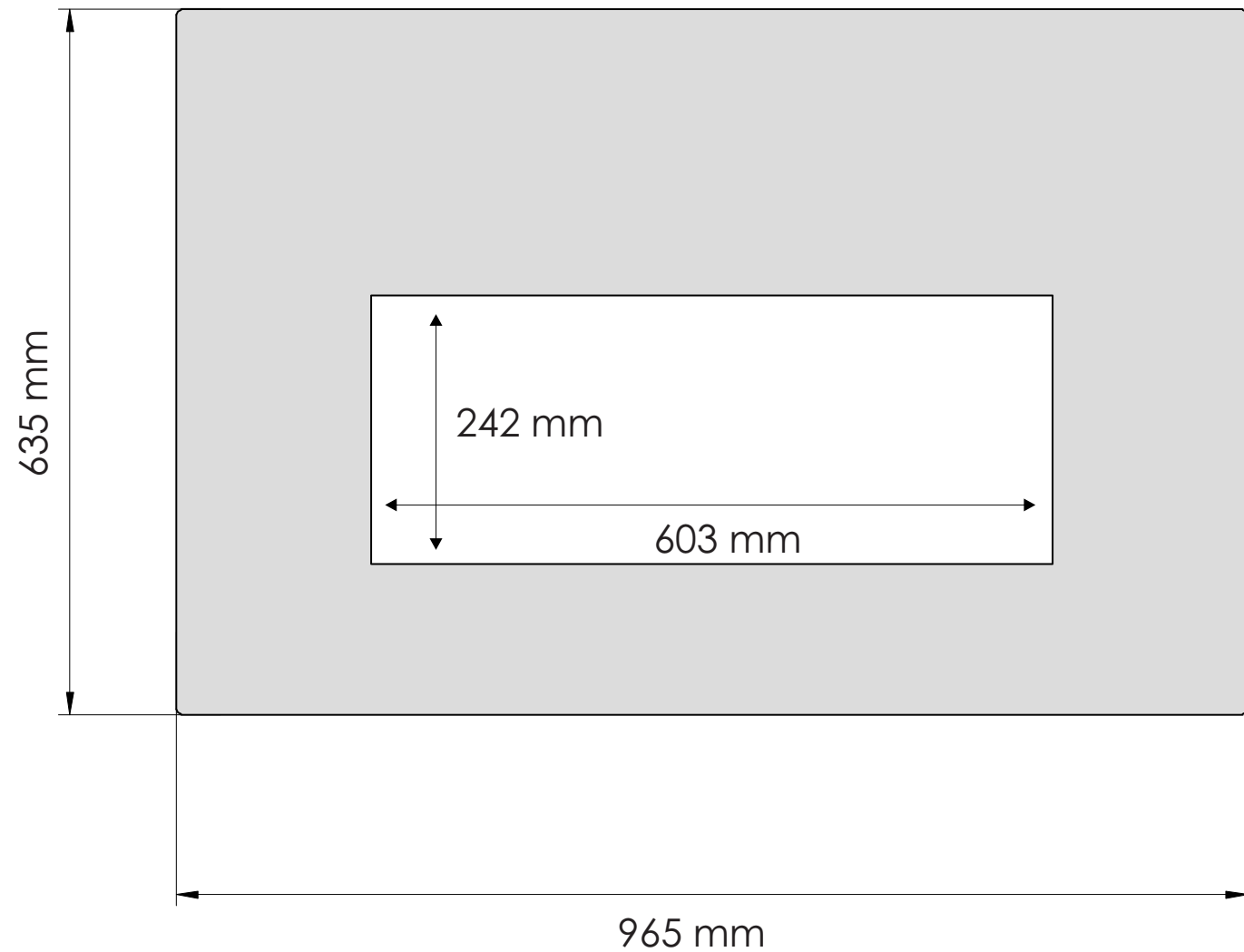


Minimum opening size required 17 1/8" H x 25 5/8" W

TECHNICAL SPECIFICATIONS		
VOLTS		120
AMPS		12.5
WATTS		1500
HEATER	HIGH	1500 watts
	LOW	750 watts
NO HEATER		22 watts
LAMPS	QUANTITY	LED
	WATTS	
	TOTAL WATTS	22 watts
ROTOR MOTOR		1 at 5 watts
HEIGHT, WIDTH, DEPTH		16 3/4 x 25 1/4 x 8 1/2
GLASS VIEWING OPENING		9 1/2 x 23 3/4
GLASS SIZE		25 x 38
SHIPPING SIZE		27 1/4 x 41 3/8 x 12 1/4
SHIPPING WEIGHT		62 lbs
GLASS FRONT	UNIT	
		Included
PLUG LOCATION		Left Side
CORD LENGTH		76"
APPROX. HEATING AREA		400 sq ft



SERIES INSERT	MODEL INS-FM-26		REV 1
SCALE 1" = 1'-0"	DATE: 10/01/2012		SHEET 1 OF 1



Minimum opening size required 43.5 cm H x 65 cm W

TECHNICAL SPECIFICATIONS

VOLTS		120
AMPS		12.5
WATTS		1500
HEATER	HIGH	1500 watts
	LOW	750 watts
NO HEATER		22 watts
LAMPS	QUANTITY	LED
	WATTS	
	TOTAL WATTS	22 watts
ROTOR MOTOR		1 at 5 watts
HEIGHT, WIDTH, DEPTH		42.8 x 64.2 x 22.2 cm
GLASS VIEWING OPENING		24.2 x 60.3 cm
GLASS SIZE		63.5 x 96.5 cm
SHIPPING SIZE		69.1 x 105 x 31
SHIPPING WEIGHT		28 kg
	UNIT	
	GLASS FRONT	Included
PLUG LOCATION		Left Side
CORD LENGTH		193 cm
APPROX. HEATING AREA		37 sqm



SERIES	MODEL		REV
INSERT	INS-FM-26		1
SCALE 1:12	DATE: 10/01/2012	SHEET 1 OF 1	